

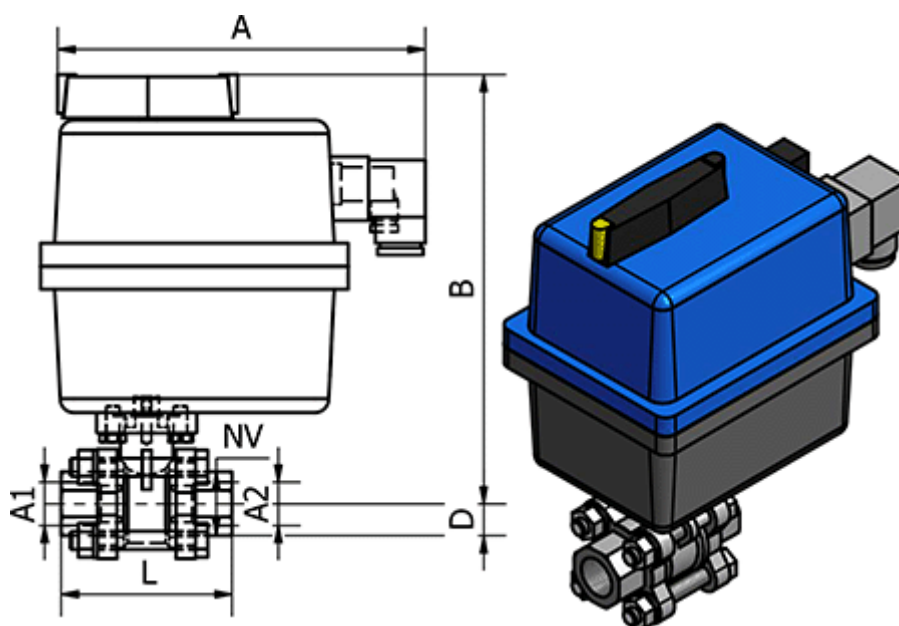
# Data Sheet



Article number: 5863504814

Description: Ball Valve 350.4814, G 1 1/2" - G 1 1/2"  
Thread/Thread

## Measures



= -	Connecting A2	= G 1 1/2"
= -	D	= 40
= -	L	= 104
= -	Max. Operating Pressure	= 25 bar
= -	NV	= 58

A = 177  
B = 211  
Connecting A1 = G 1 1/2"